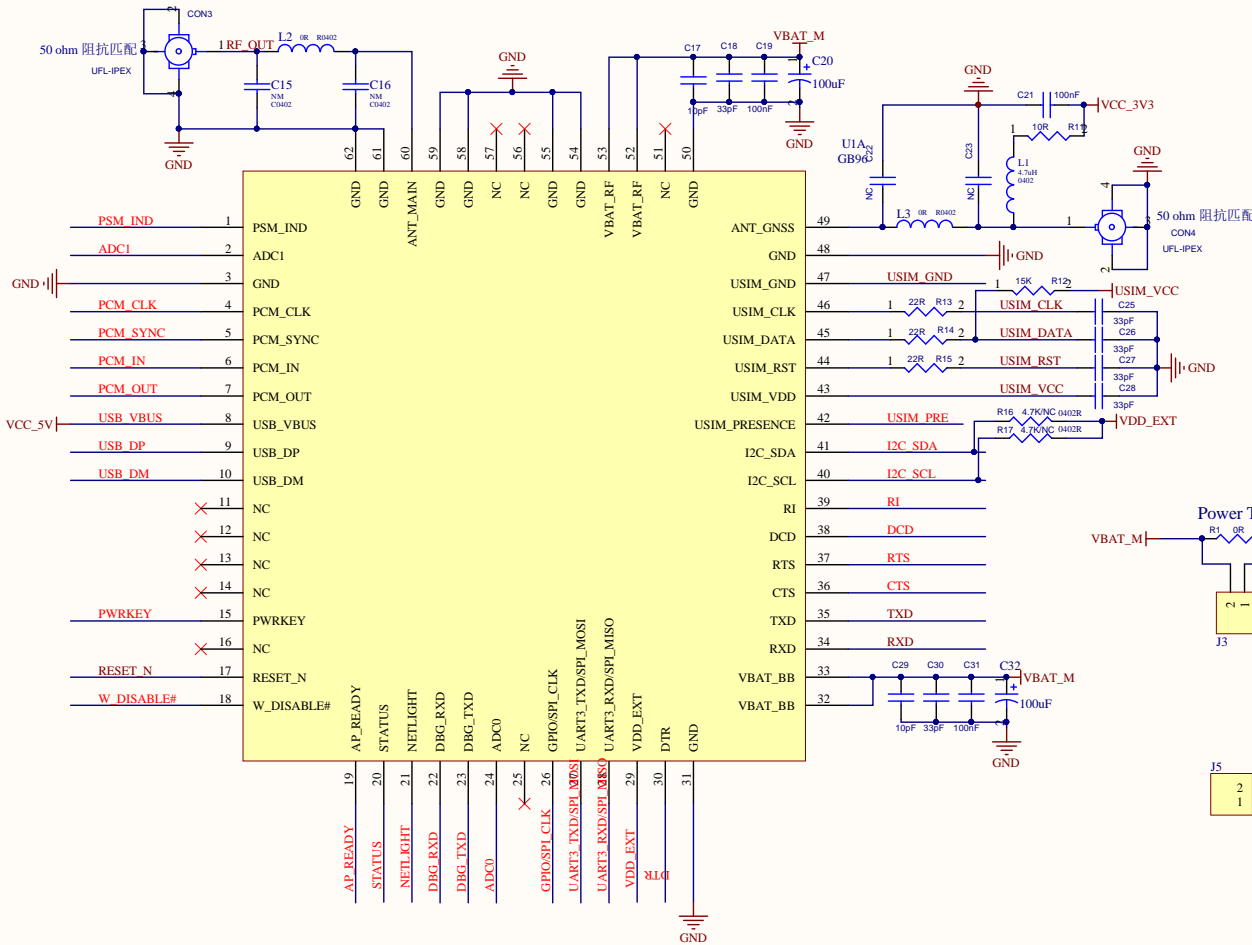
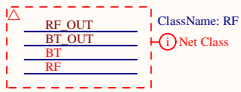
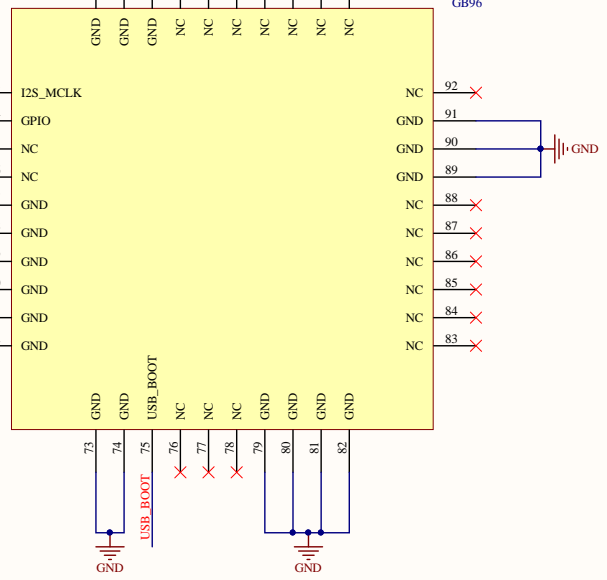
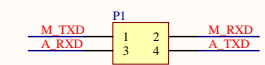
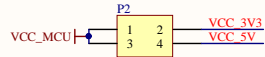
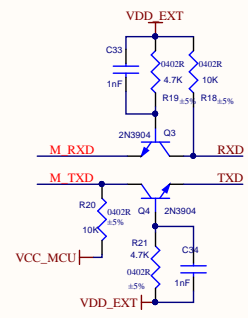
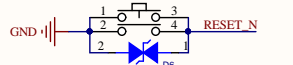
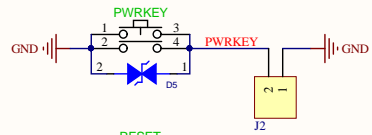
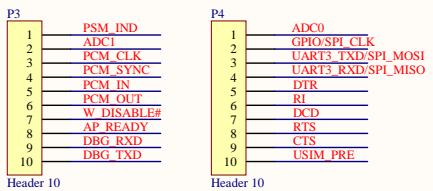
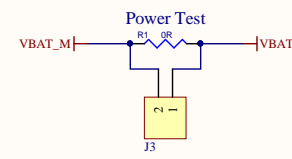
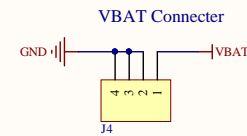
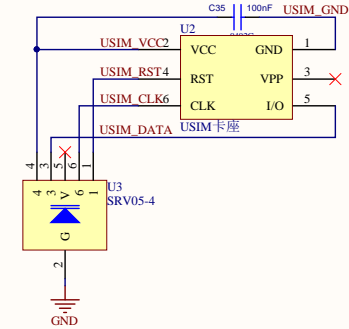
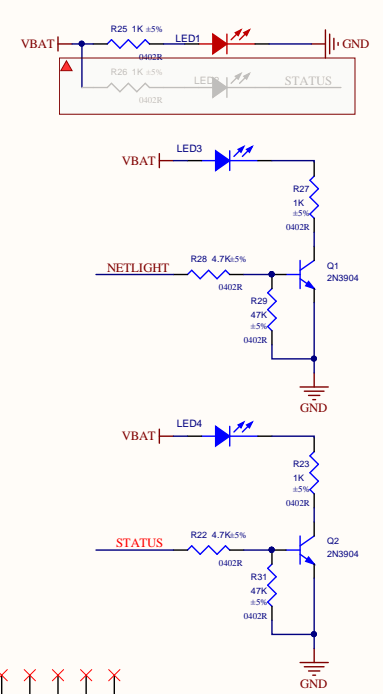


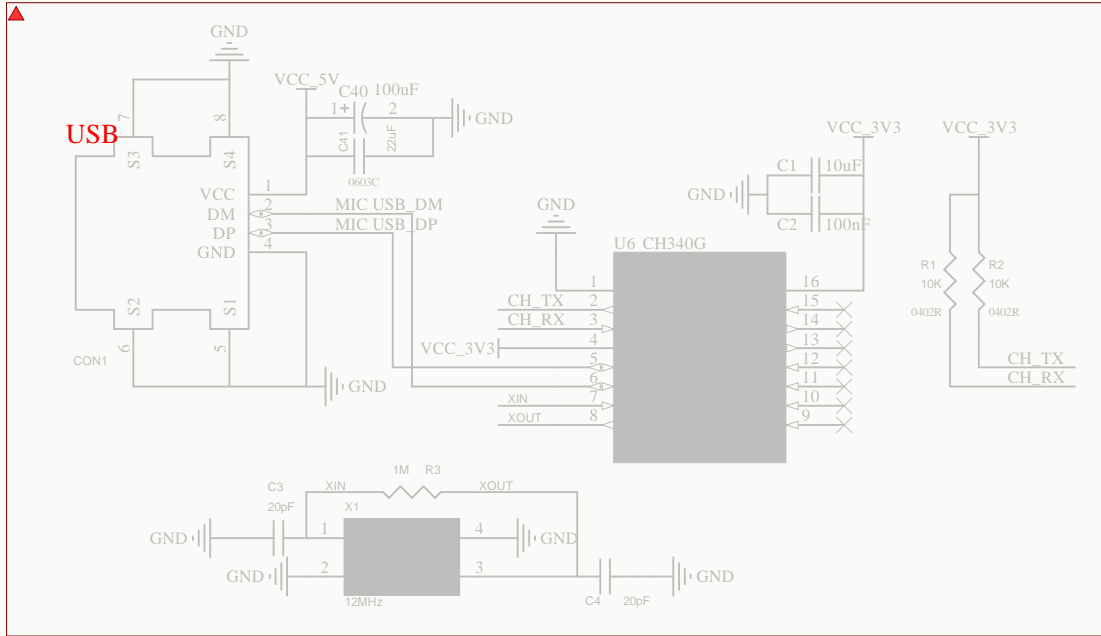
GB96 MODULE



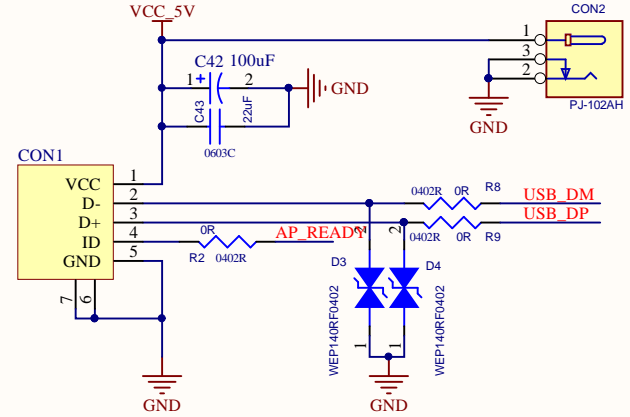
Indicator light



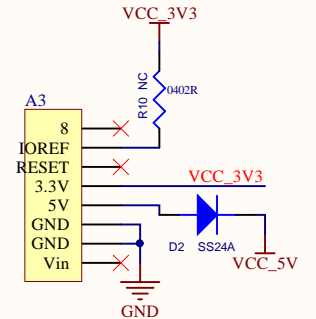
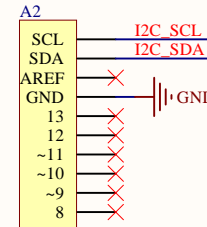
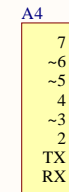
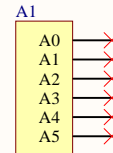
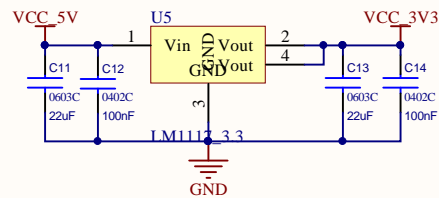
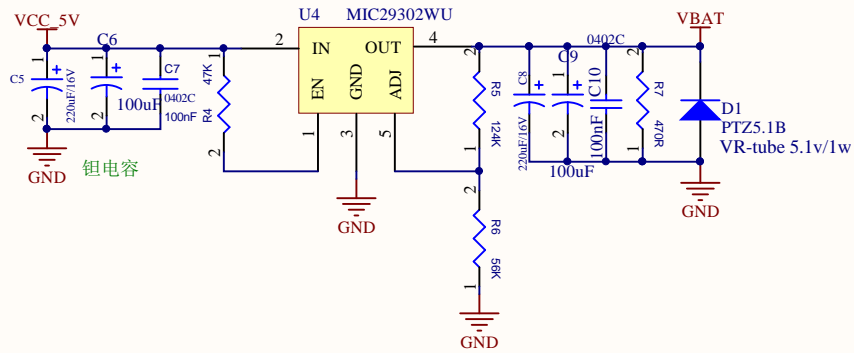
Title PCB_Project.PrjPcb		RAKWIRELESS Technology Co., Ltd	
Doc Number: 02_GB96.SchDoc		Nanshan District	
Designer: Lampo	Size: A3	Revision: V1.0	Shenzhen
Date: 2017/12/28	Modified: 2017/12/28	Sheet 1 of 2	China



Micro USB



POWER



Title PCB_Project.PrjPcb		RAKWIRELESS Technology Co., Ltd
Doc Number: 01_POWER.SchDoc		Nanshan District
Designer: Lampo	Size: A4	Revision: V1.0
Date: 2017/12/28	Modified: 2017/12/28	Sheet 2 of 2

Shenzhen
China

Cannot open file F:\02_Circuit Design\01 Altium Designer\Mv